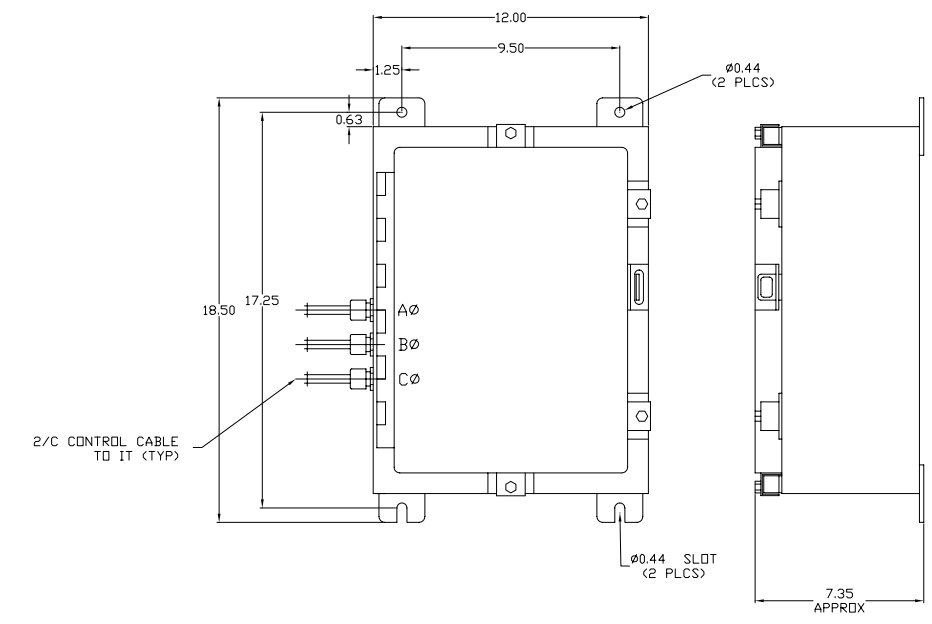
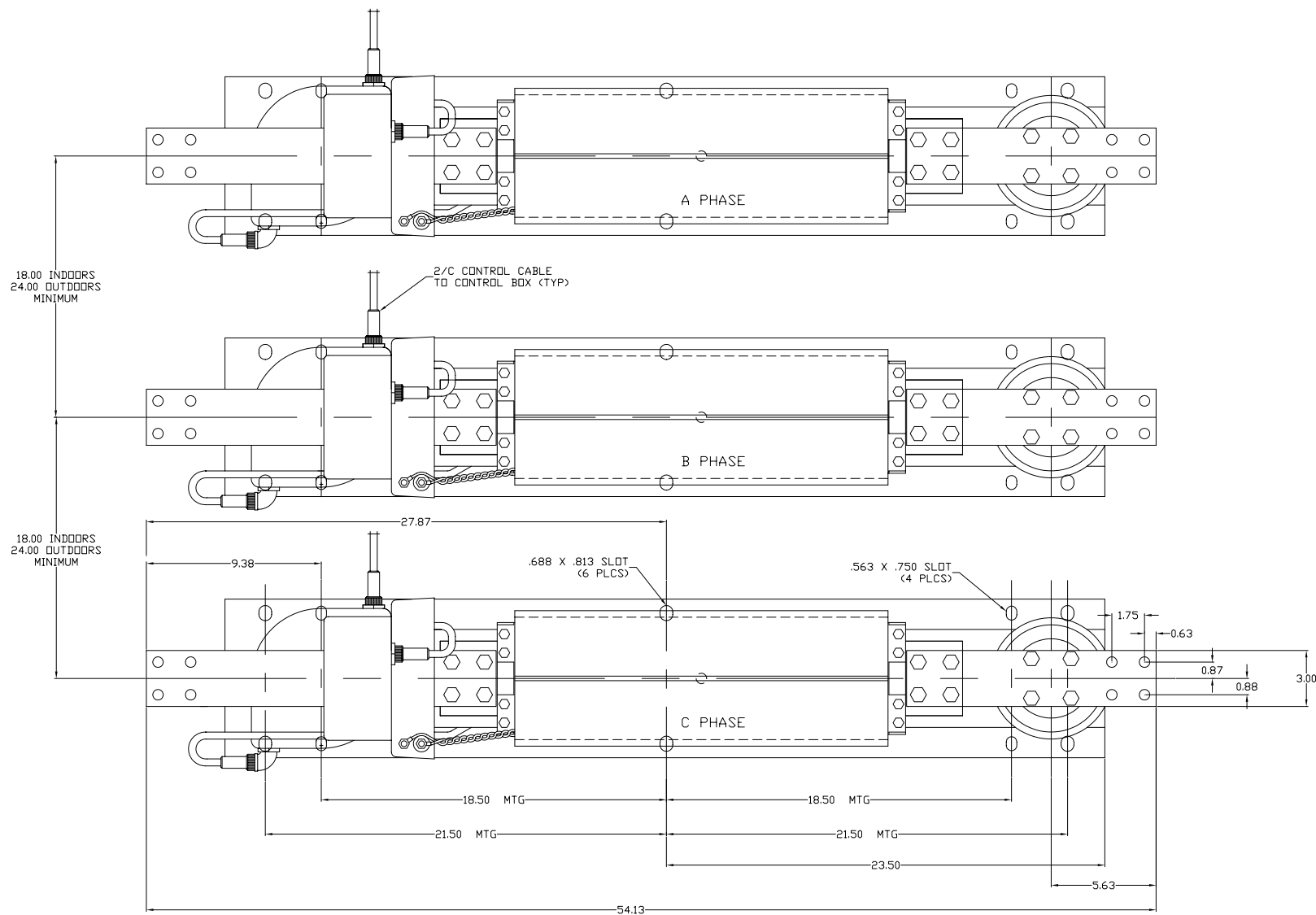


DESIGN REVIEW TEAM		REVISIONS	
REV	CHANGE ORDER	DATE	
A	DCN 20925	7/16/01	RVN
B	DCN 20930	7/17/01	RVN



REMOTE CONTROL BOX FOR CURRENT LIMITING PROTECTOR
 NEMA TYPE 4, WELDED, 14 GA. STEEL CONSTRUCTION WITH PROVISIONS FOR PADLOCKING THE CLAMPED HINGED COVER.

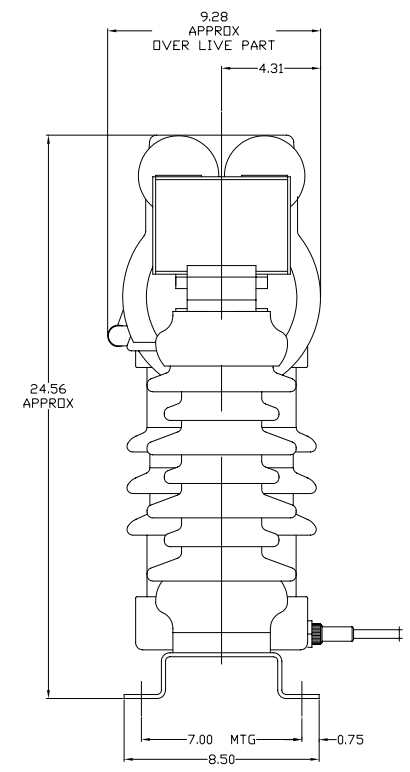
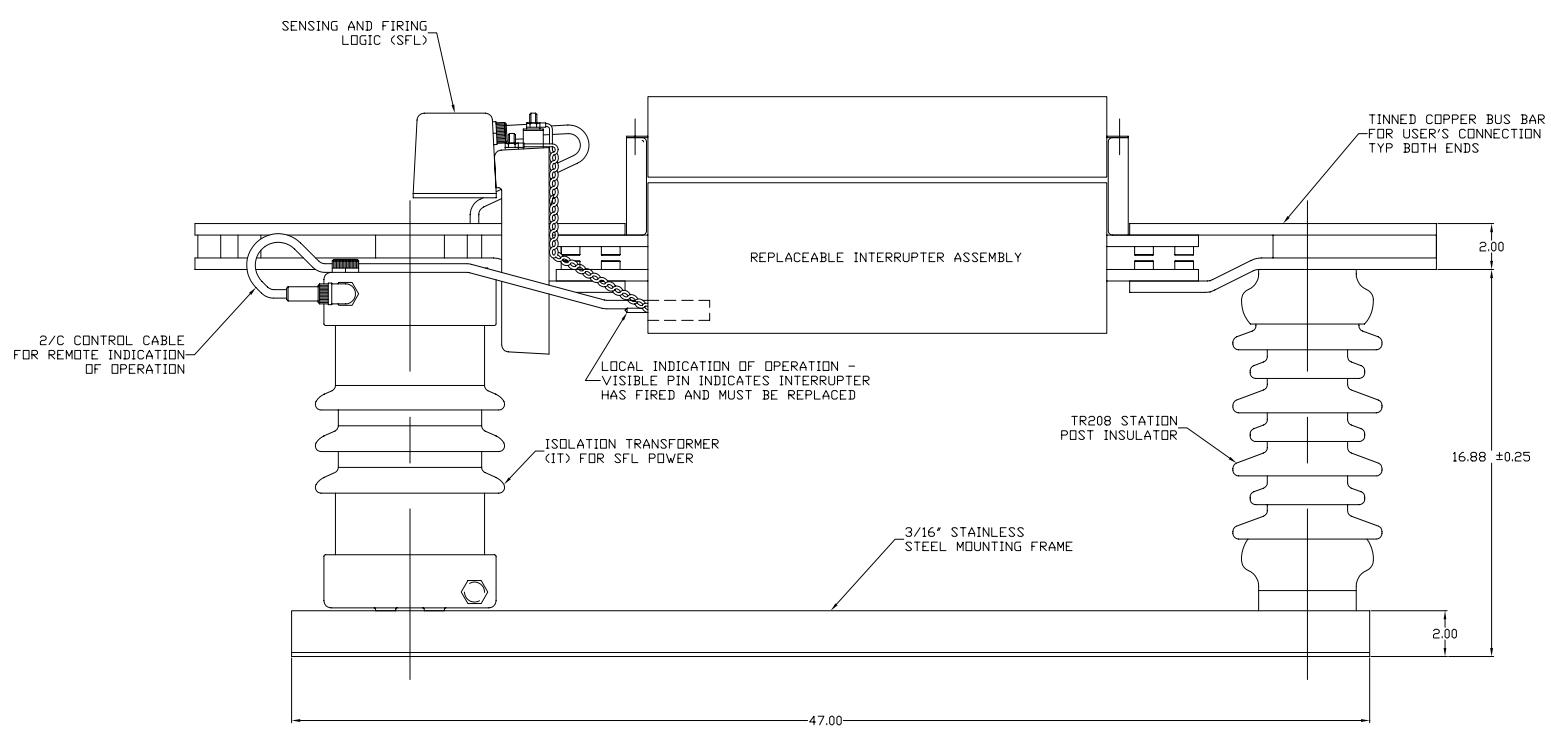
THE CONTROL BOX IS TO BE MOUNTED ADJACENT TO THE CLIP INSTALLATION WITHIN RANGE OF THE 30' LONG CABLES INCLUDED. THE CABLES HAVE A KEYED PLUG ON ONE END FOR CONNECTION TO THE CLIP ISOLATION TRANSFORMERS AT GROUND POTENTIAL. THE OTHER END IS TO BE CONNECTED, BY THE USER, TO THE TERMINAL BLOCK LOCATED IN THE CLIP CONTROL BOX. CABLE SEALS WITH STRAIN RELIEF FEATURE ARE PROVIDED IN THE CONTROL BOX FOR ENTRY OF THESE CABLES. EXCESS CABLE LENGTH MAY BE REMOVED IF DESIRED.

THE FOLLOWING EQUIPMENT IS INCLUDED IN THE CONTROL BOX:

- A. ONE POWER TRANSFORMER, RATED 115/6.5 VAC, 50-60 Hz, TO SUPPLY POWER TO THE SENSING AND FIRING LOGIC THAT IS LOCATED ON EACH CLIP.
- B. TWO SETS OF DP/DT (FORM 'C') CONTACTS FOR LOSS OF VOLTAGE INDICATION. CONTACTS ARE RATED 10 A @ 30 VDC OR 277 VAC.
- C. TWO SETS OF DP/DT (FORM 'C') CONTACTS PER PHASE FOR REMOTE INDICATION OF CLIP OPERATION. CONTACTS ARE RATED 10 A @ 30 VDC OR 277 VAC, 1/2 HP @ 240 VAC, 1/3 HP @ 120 VAC.
- D. TERMINAL BLOCKS FOR USER'S POWER ALARM/TRIP CIRCUIT CONNECTIONS.
- E. MOV (METAL OXIDE VARISTOR) TRANSIENT VOLTAGE SUPPRESSOR.
- F. THREE RESETTABLE CIRCUIT BREAKERS (ONE PER PHASE FOR FAULT INDICATION) WHICH MUST BE RESET AFTER A FAULT OCCURRENCE.

USER TO PROVIDE:

1. 125 VAC 1 AMP POWER SOURCE FOR CONTROL.
2. ELECTRICAL CONNECTION FROM POWER SOURCE TO CONTROL BOX.
3. ELECTRICAL CONNECTION FROM TERMINAL BLOCK IN THE CONTROL BOX TO USER'S ALARM/TRIP DEVICES.
4. ALL OPENINGS REQUIRED IN THE CONTROL BOX FOR USER'S POWER ALARM CONNECTIONS AND THE SEALING DEVICES REQUIRED FOR THE OPENINGS TO MAINTAIN THE INTEGRITY OF THE NEMA 4 CONTROL BOX.



SEE 'B' SIZE DRAWING FOR B/M
 ALL DRAWING CHANGES MUST BE MADE ON CAD. ANY MANUAL CHANGES WILL VOID DRAWING.

CURRENT LIMITING PROTECTOR
 3 PHASE 15.5kV 3000A CONT CURRENT 110kV BIL
 120kA RMS SYM INTERRUPT RATING INCLUDES
 CONTROL BOX, STANDARD SENSING AND FIRING
 LOGIC AND HI SPEED REMOTE INDICATION

G&W
 G&W ELECTRIC Co.

DRAWN BY: RVN	DATE: 6/14/00	DRAWING NO. D5107 0064 A00	REV. B
APPR. BY: JSS	DATE: 6/14/00	SCALE: NONE	SHEET 1 OF 2

THIS DRAWING AND THE INFORMATION THEREIN ARE AND REMAIN THE PROPERTY OF G&W AND ARE NOT TO BE COPIED, REPRODUCED OR DISCLOSED TO OTHERS WITHOUT THE EXPRESSED WRITTEN CONSENT OF G&W.
 TOOL, ENG. APPR. BY: DATE: